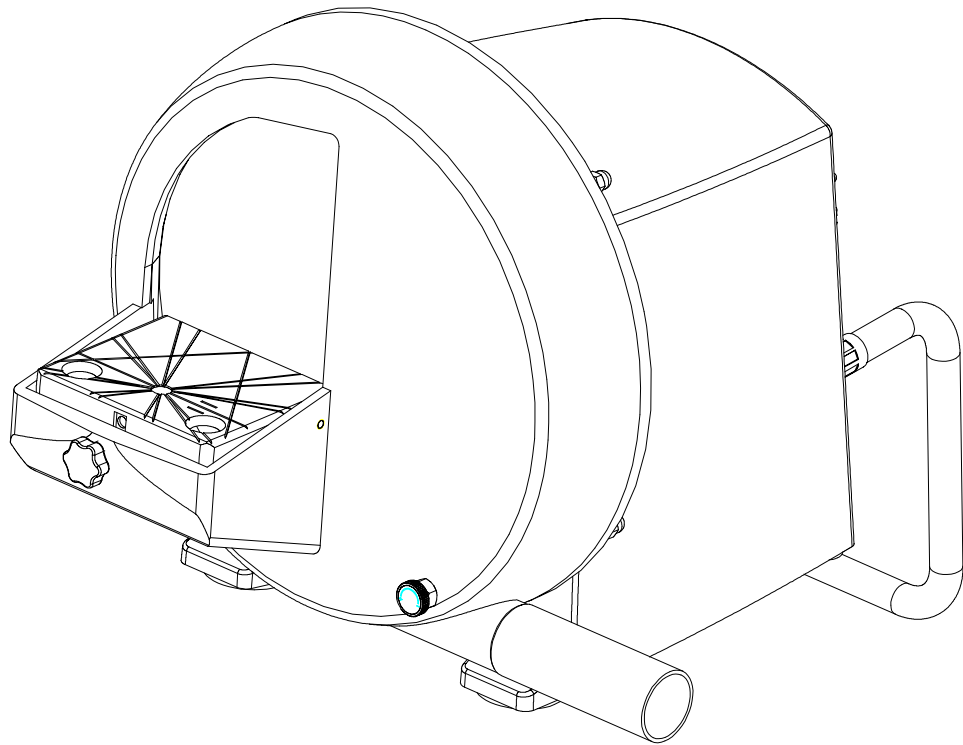
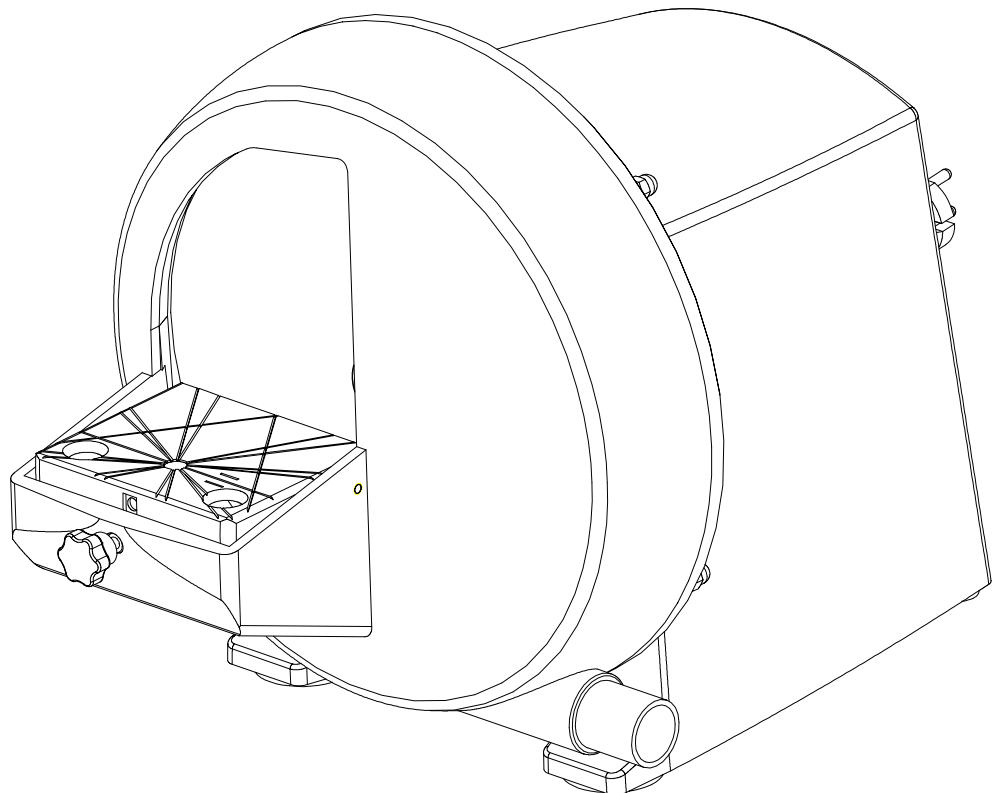
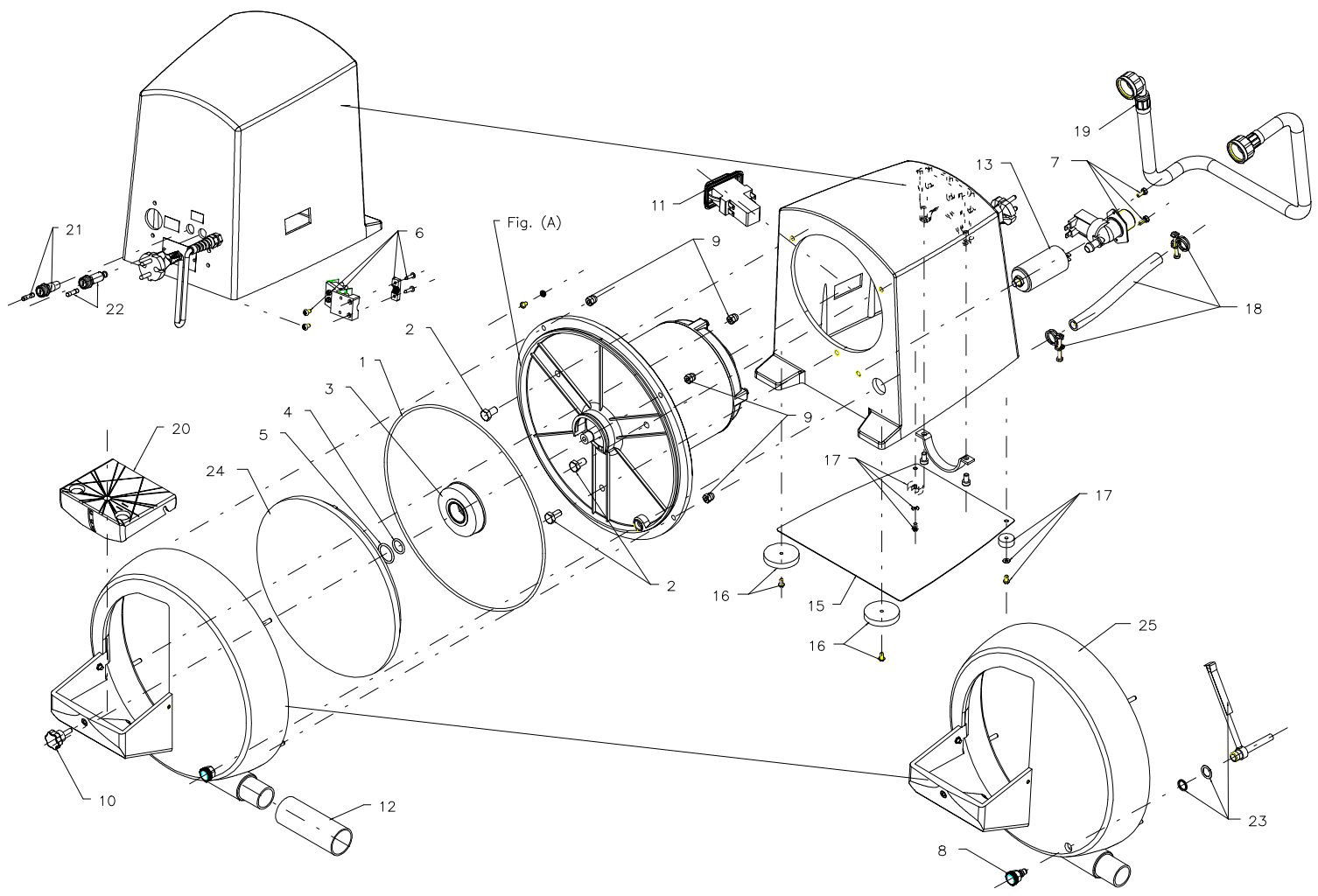


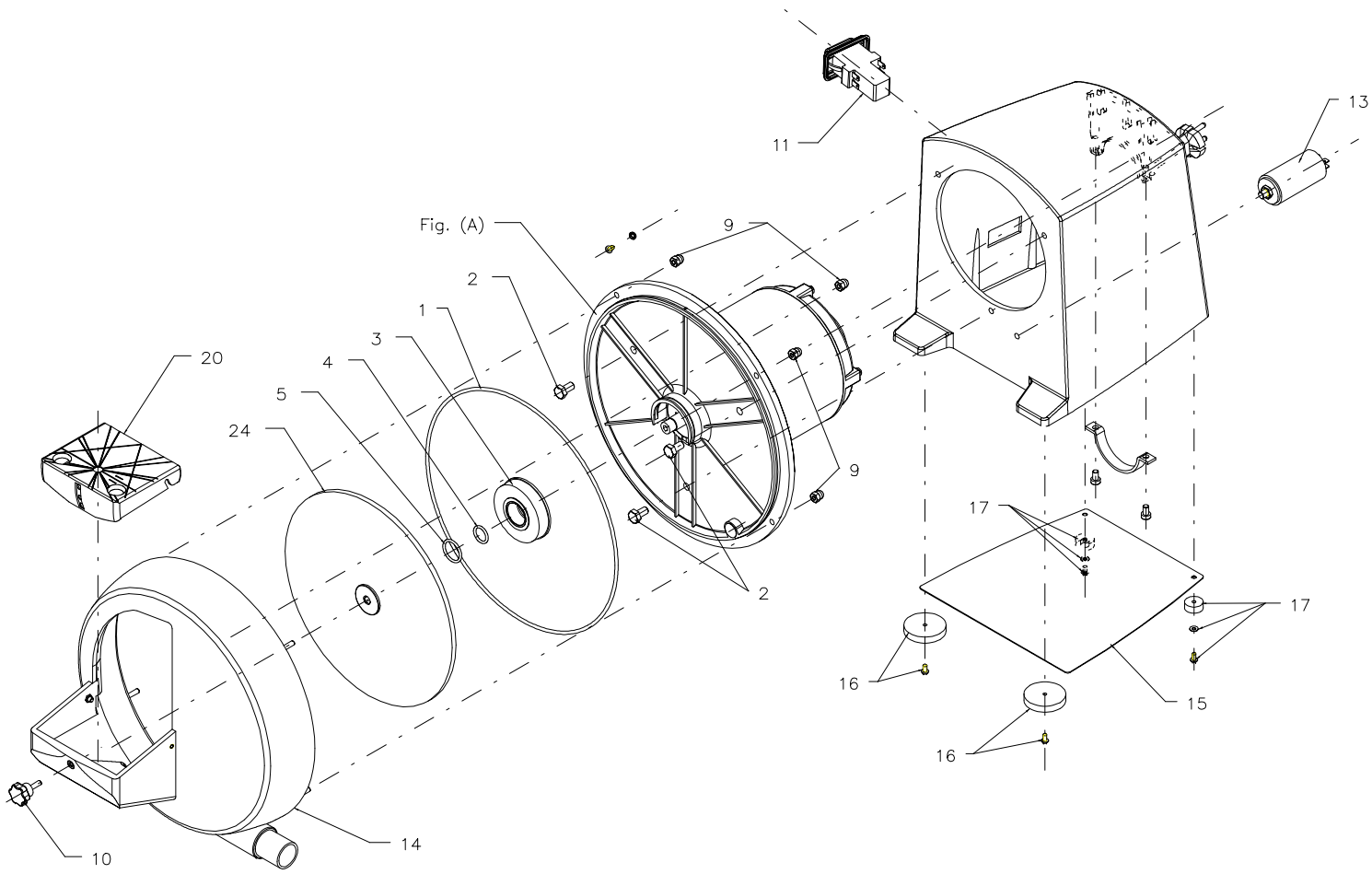
Squadramodelli ad ACQUA



Squadramodelli DRY

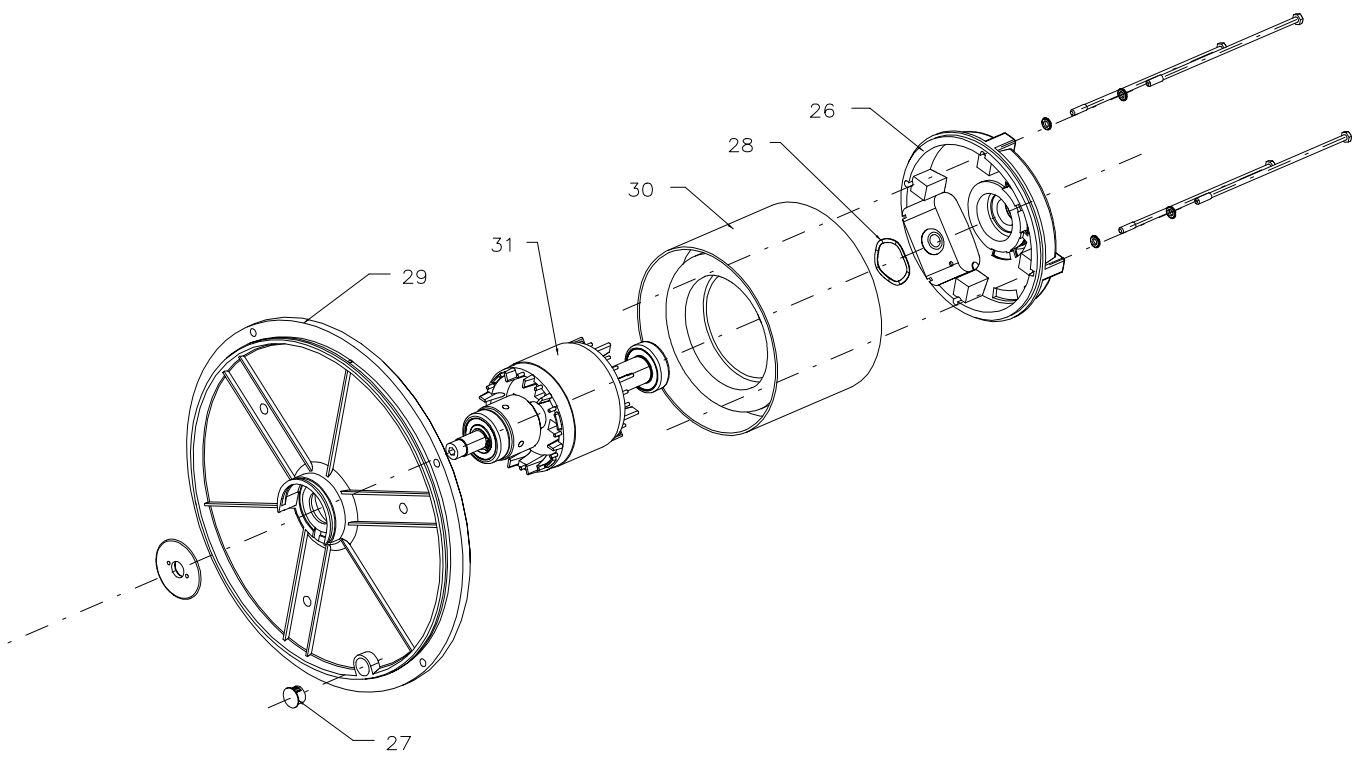






Squadramodelli DRY

figura A



| POS. | CODICE | DESCRIZIONE | 220/240 | | 115v | |
|------|--------|------------------------------|---------|--------|--------|--------|
| | | | 478000 | 478400 | 478300 | 478450 |
| | | | H2O | DRY | H2O | DRY |
| 1 | 478041 | Dichtung | x | x | x | x |
| 2 | 478022 | Schraube | x | x | x | x |
| 3 | 478052 | Plastikring | x | x | x | x |
| 4 | 159013 | Dichtring | x | x | x | x |
| 5 | 181055 | O-Ring | x | x | x | x |
| 6 | 478181 | Gruppo morsetto | x | x | x | x |
| 7 | 478183 | Magnetventil 220-240 V50 | x | | | |
| | 478184 | Magnetventil 115V | | | | x |
| 8 | 708087 | Wasserregulierschraube | x | | x | |
| 9 | 478047 | Mutter | x | x | x | x |
| 10 | 478058 | Stellschraube | x | x | x | x |
| 11 | 478139 | Schalter Modelltrimmer | x | x | | |
| | 478303 | Schalter Modelltrimmer 115 V | | | x | x |
| 12 | 478053 | Abwasserschlauch | x | | x | |
| 13 | 478105 | Kondensator | x | x | | |
| | 478306 | Kondensator 115 V | | | x | x |
| 14 | 478410 | Frontabdeckung | | x | | x |
| 15 | 478036 | Bodenplatte | x | x | x | x |
| 16 | 478186 | Fuss vorne | x | x | x | x |
| 17 | 478187 | Fuss hinten | x | x | x | x |
| 18 | 478185 | Wasserleitung | x | | | x |
| 19 | 478050 | Befüllschlauch | x | | x | |
| 20 | 478049 | Arbeitsplatte | x | x | x | x |
| 21 | 478107 | Sicherung 230/240 V | x | x | | |
| | 478311 | Sicherung 120 V | | | x | x |
| 22 | 478124 | Sicherung 230/240 V | x | x | | |
| | 478308 | Sicherung 120 V | | | x | x |
| 23 | 478182 | Wasserverteiler | x | | x | |
| 24 | 478043 | Nasstrimmerscheibe | x | | x | |
| | 478099 | Nasstrimmerscheibe fein | x | | x | |
| | 478401 | Diamantscheibe | | x | | x |
| 25 | 478030 | Frontabdeckung | x | | x | |
| 26 | 478132 | Abdeckung | x | x | x | x |
| 27 | 410218 | Blindkappe | | x | | x |
| 28 | 478145 | Federring | x | x | x | x |
| 29 | 478010 | Rad | x | | x | |
| | 478009 | Rad | | x | | x |
| 30 | 478104 | Starter | x | x | | |
| | 478302 | Starter 115 V | | | x | x |
| 31 | 478133 | Rotor | x | x | x | x |
| | 478416 | Schlüsselsatz | | x | | x |
| | 478060 | Schlüsselsatz | x | | x | |